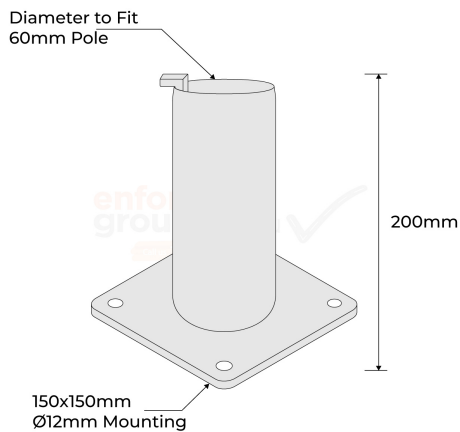


# PRODUCT SPECS



Product Code: SP-SPS-SM

Diameter to fit: 60mm

Height: 200mm

Weight: 2kg

Base plate: 150mm x 150mm 4 mounting holes 12mm

Finish: Silver / Galvanised Steel



## SIGN POST SLEEVE SURFACE MOUNTED

- Manufactured from Galvanised Steel
- Fits 60mm diameter pole
- Easy to install on the ground

The Sign Post Sleeve Surface Mounted Including Wedge Key is a cylindrical metal accessory suitable for sign posts. The wedge key has a diameter of 60mm and a height of 200mm. It weighs 2kg and comes in silver/galvanised steel finish.

This wedge key includes a base plate measuring 150mm by 150mm with 4 mounting holes of 12mm each.



Strong & Durable



Australian Standards Approved



Easy Installation



**enforcer**  
**group.com.au**

Call us 1300 85 40 10