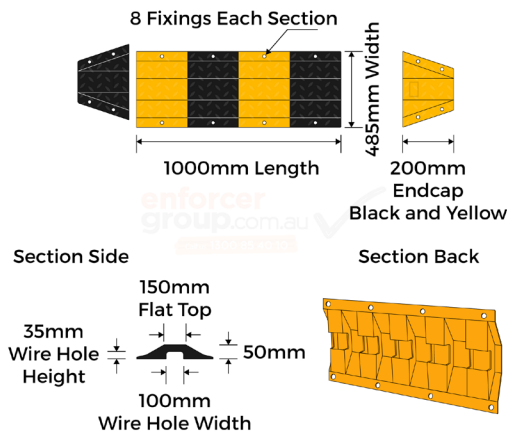




PRODUCT SPECS



STEEL SPEED HUMP

Product Code:	SH-Steel
Length:	1 Meter or 1/2 Meter
Height:	50mm
Width:	485mm (150mm flat top)
End Caps:	200mm Long
Weight:	26Kg per Meter
Colours:	Black, Yellow 
Fixing:	8 fixing each section. 14mm Hilti plug with a 100mm coach Screw and 12mm Washer.

- Manufactured from Heavy Duty 5mm Steel
- Designed for heavy duty trucks and transport depots
- Load rated for B Double Trucks
- Black & Yellow markings for high visibility
- Fixing Bolts Included
- Installation Service is available

Enforcer Heavy Duty Metal speed hump comply to AS/NZS 2890.1:2004

Designed for high traffic areas where Heavy Duty traffic calming is required.

Metal Speed Humps have Black & Yellow markings for high visibility, designed to be strong and durable with 5mm Steel, easy to install or relocate, they don't crack or fade. End Caps are to round them off neatly to finish the job.

Suited to use in Concrete or [Asphalt] to Slow speeding drivers down in areas like Schools, Hospitals, Retirement Villages, Multi Story Car Parks, Caravan Parks.

Not recommended for Asphalt surfaces, uneven, or curved surfaces.



Strong & Durable



Australian Standards Approved



Easy Installation



Call us 1300 85 40 10