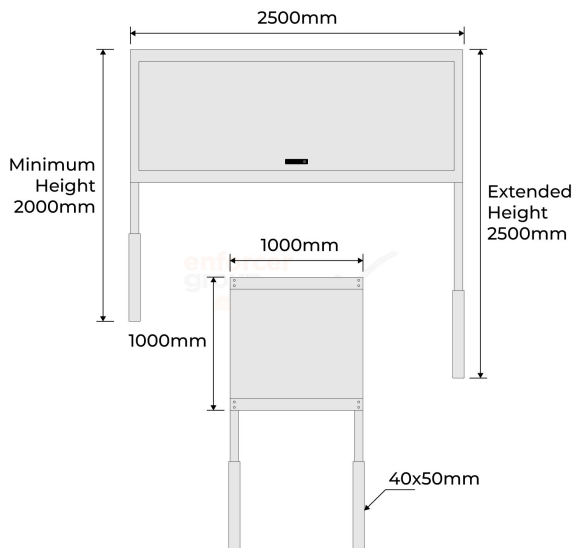


# PRODUCT SPECS



Product Code:	SC-OB-W
Box Height:	1000mm
Box Width:	2500mm
Box Depth:	1000mm
Minimum Height:	2000mm
Extended Height:	2500mm
Weight:	85kg
Weight Capacity:	450kg
Finished:	Galvanised Steel, Powder coated matte white



**2 Year**  
Manufacturing  
Warranty

Installation  
Service  
available



## STORAGE CABINET - OVER BONNET

- Advanced Locking System
- Powder-coated matte white
- Two Gas Struts for Effortless Operation
- Extendable Legs
- Easy to Assemble
- Installation Service is available

Enforcer's Car Park Over Bonnet Cabinet is designed to fit snugly over your vehicle's bonnet, it optimises under utilised space. This cabinet is made of Galvanised steel with powder coated matte white finish.

It's perfect for keeping smaller items within arm's reach. Experience the convenience and elegance of our Car Park Storage Cabinets.

Keep your car park tidy, organised, and secure while adding a touch of sophistication to your space. Choose functionality and style with our matte white cabinets



Strong &  
Durable



Australian  
Standards  
Approved



Easy  
Installation

**enforcer**  
group.com.au

Call us 1300 85 40 10