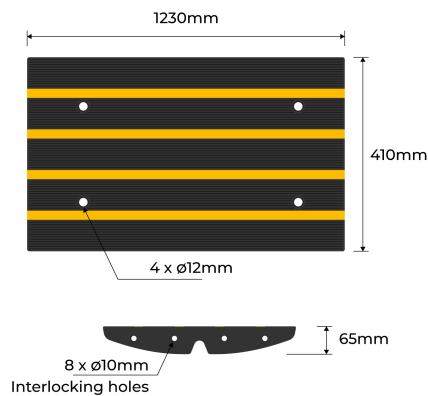


PRODUCT SPECS



Product Code: RKR-R-M

Length: 1230mm

Height: 65mm

Width: 410mm

Weight: 22Kg

Fixing: 4 x 12mm (8 x 10mm interlocking holes)

Finish: Black with Orange Reflective Strips



ROLLED KERB RAMP FOR DRIVEWAY EDGE

- Manufactured from durable and thick rubber
- Provides smooth transitions
- Anti-skid top surface with reflective strips
- In-built channel to allow water flow

Upgrade your driveway with Enforcer Group Rolled Kerb Ramp for Driveway Edge. Manufactured from solid rubber, it ensures a smooth transition, covering the gutter while facilitating rainwater flow underneath.

Its portable design allows for effortless lifting by a single person for cleaning or relocation.

Equipped with four holes for secure permanent installation via road fixings, and pre-drilled holes underneath for joining multiple sections, it ensures stability and durability. Enhanced safety features include a high-traction grip to reduce slips, while reflective strips illuminate your driveway at night. The built-in channel allows seamless water flow, ensuring no obstructions in the roadway.



Strong &
Durable



Easy
Installation

enforcer
group.com.au

Call us 1300 85 40 10

