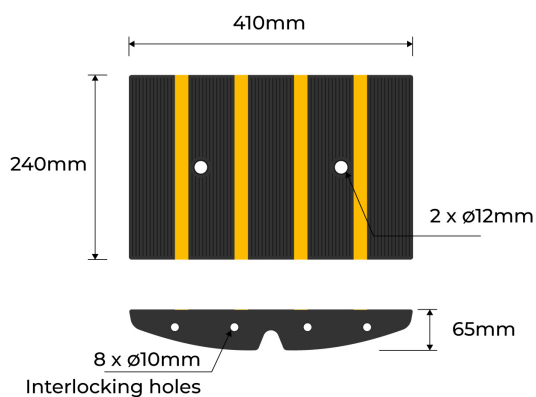


PRODUCT SPECS



Product Code: RKR-R-A

Length: 240mm

Height: 65mm

Width: 410mm

Weight: 4.5Kg

Fixing: 2 x 12mm
(8 x 10mm interlocking holes)

Finish: Black with Orange Reflective Strips



ROLLED KERB RAMP ANGLE FOR DRIVEWAY EDGE

- Manufactured from durable and thick rubber
- Provides smooth transitions
- Anti-skid top surface with reflective strips
- In-built channel to allow water flow

Enforcer Group Rolled Kerb Ramp Angle for Driveway Edge is manufactured from solid rubber, it ensures a smooth transition, covering the gutter while facilitating rainwater flow underneath.

Its portable design allows for effortless lifting by a single person for cleaning or relocation.

Equipped with four holes for secure permanent installation via road fixings, and pre-drilled holes underneath for joining multiple sections, it ensures stability and durability. Enhanced safety features include a high-traction grip to reduce slips, while reflective strips illuminate your driveway at night. The built-in channel allows seamless water flow, ensuring no obstructions in the roadway.



Strong &
Durable



Easy
Installation



enforcer
group.com.au

Call us 1300 85 40 10

