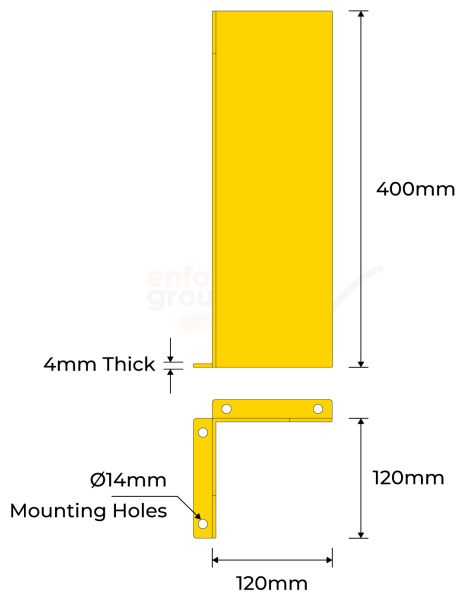


PRODUCT SPECS



Product Code: RG-LS

Height: 400mm

Width: 120mm x 120mm

Wall Thickness: 4mm

Weight: 2.85kg

Fixings: 4 mounting holes
14mm diameter

Finish: Powder-coated yellow



2 Year
Manufacturing
Warranty

Installation
Service
available



RACKING GUARD - L SHAPE

- Powder coated yellow finish provides excellent visibility
- Protects against impacts from 2 sides
- Installation service is available

The Enforcer Racking Guard - L Shape is intended to protect rack legs and systems against scraping and impacts from 2 sides that may be caused by workplace vehicles like forklifts.

Racking guard protectors work by absorbing and deflecting impacts. In order to avoid damage and keep the racking system's structural integrity, the protector transfers the energy from impact around the rack leg rather than through it.

The Racking Guard - L Shape can help protect rack legs measuring 120mm on each side.



Strong &
Durable



Australian
Standards
Approved



Easy
Installation

enforcer
group.com.au

Call us 1300 85 40 10