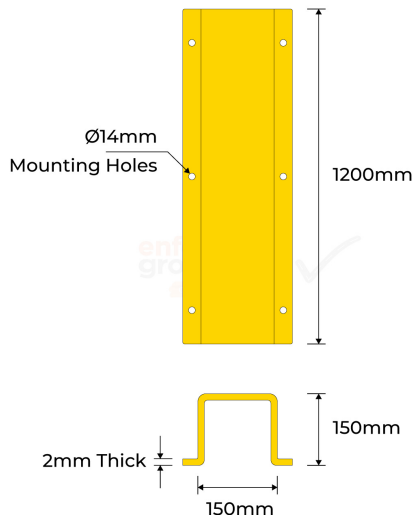


PRODUCT SPECS



Product Code: DP-150-Y

Width: 150x150mm

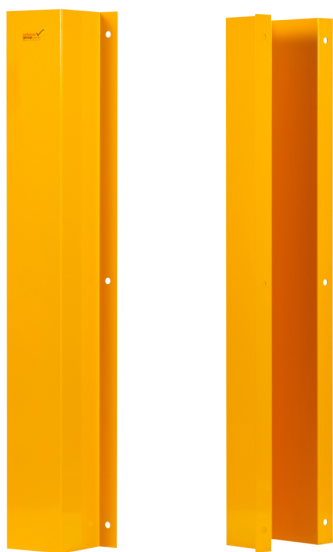
Height: 1200mm

Thickness: 2mm

Weight: 10kg

Mounting Holes: 14mm diameter

Finish: Powder Coated Safety Yellow



2 Year
Manufacturing
Warranty

Installation
Service
available



DOWNPIPE PROTECTORS-150MM YELLOW

- Manufactured from Steel
- Withstand from heavy cars, trucks and forklifts
- Safety red & white finish
- Lightweight and easy to install
- Suitable for indoor and outdoor use

Enforcer Downpipe Protectors are your reliable defense against potential forklift and vehicle impact damage. Crafted to shield exposed PVC pipes, these high-strength guards are easily fitted to existing structures. Their design diverts impact away from pipes, cables, and large conduits, ensuring the safety of your assets.

Our Downpipe Protectors are standing guard, ready to deflect potential impacts and preserve the integrity of your infrastructure. Protect your assets with precision and strength.



Strong &
Durable



Australian
Standards
Approved



Easy
Installation

enforcer
group.com.au

Call us 1300 85 40 10