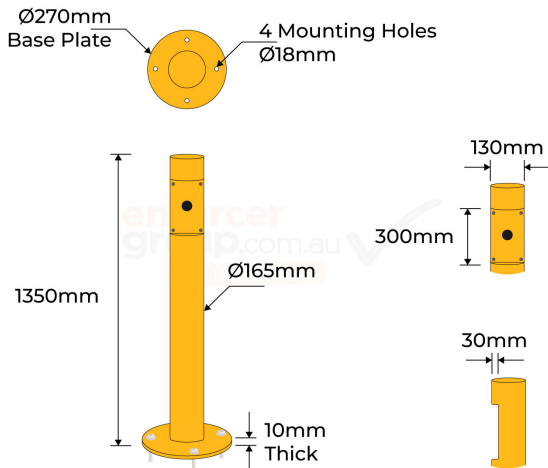


PRODUCT SPECS



Product Code: CRB-165-Y

Diameter: 165mm

Height: 1350mm

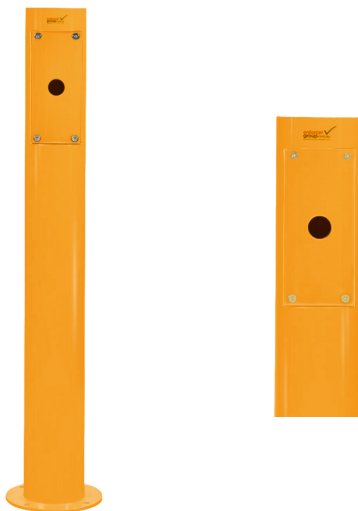
Wall Thickness: 3mm

Weight: 19kg

Card Plate: 300mm x 130mm x 30mm

Base Plate: 270mm diameter x 10mm thick, 4x18mm diameter mounting holes

Finish: Powder coated safety Yellow



www.enforcergroup.com.au

INTERCOM BOLLARD POST - 165MM YELLOW

- Made of high-quality steel for durability and longevity
- Card reader allows authorized personnel to easily access the restricted area
- Easy to install and maintain
- Provides a secure barrier to vehicles and pedestrians
- Essential for facilities that require controlled access

The Enforcer Card Reader Bollard Post is made out of 165mm Hot Dipped Galvanised Steel for rust prevention, finished powder coated in safety Yellow is a strong and durable solution for controlling access to restricted areas.

This bollard post is made of high-quality Galvanised Steel providing superior protection against corrosion and rust. It is 165mm in diameter, providing a sturdy barrier to vehicles and pedestrians.

The card reader bollard post is to be equipped with a card reader, allowing authorized personnel to easily access the restricted area by scanning their card.



Strong & Durable



Australian Standards Approved



Easy Installation

enforcer
group.com.au

Call us 1300 85 40 10

Address: 57-67 Popes Rd Keysborough Vic 3173 P.O. Box 3076 Ripponlea VIC 3185
Email: Sales@enforcergroup.com.au Phone: 1300 85 40 10