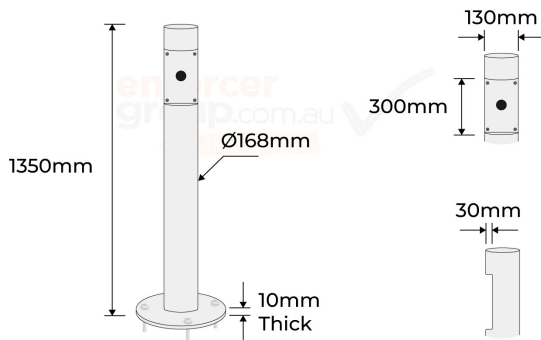
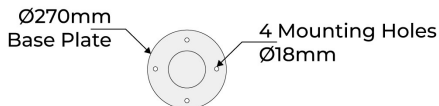


PRODUCT SPECS



Product Code: CRB-165-SS304

Diameter: 168mm

Height: 1350mm

Wall Thickness: 3mm

Weight: 20.9kg

Card Plate: 300mm x 130mm x 30mm

Base Plate: 270mm diameter x 10mm thick

Finish: Stainless steel 304



Strong &
Durable



Australian
Standards
Approved



Easy
Installation

INTERCOM BOLLARD POST - 165MM STAINLESS STEEL 304

- Made of high-quality steel for durability and longevity,
- Card reader allows authorized personnel to easily access the restricted area,
- Easy to install and maintain,
- Provides a secure barrier to vehicles and pedestrians,
- Essential for facilities that require controlled access.

The Card Reader Bollard Post - 165mm Stainless Steel is a strong and durable solution for controlling access to restricted areas.

This bollard post is made of high-quality stainless steel, providing superior protection against corrosion and rust.

It is 165mm in diameter, providing a sturdy barrier to vehicles and pedestrians.

The card reader bollard post can be equipped with a card reader, allowing authorized personnel to easily access the restricted area by scanning their card.

enforcer
group.com.au

Call us **1300 85 40 10**