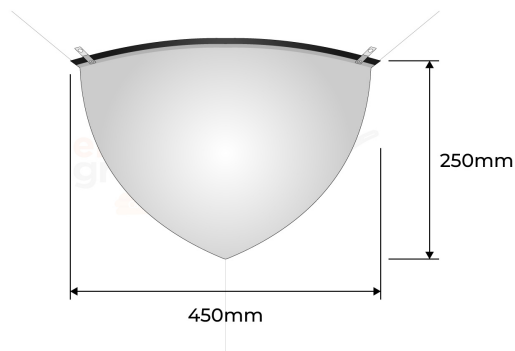


# PRODUCT SPECS



Product Code: CM-QD-600

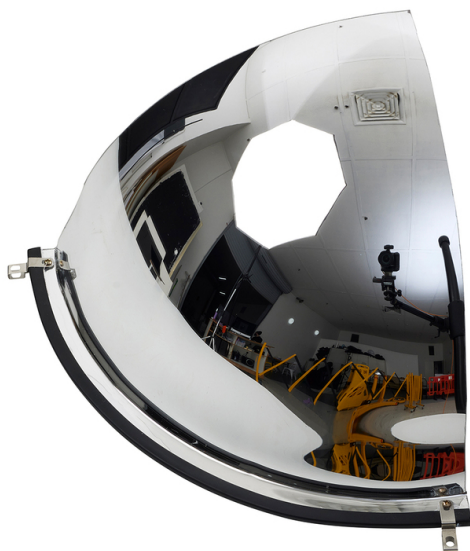
Length: 450mm

Width: 310mm

Height: 250mm

Weight: 0.23Kg

Finish: Acrylic with black rubber edging



## QUARTER DOME MIRROR - 600MM

- Made of durable, scratch-free acrylic
- Cost-effective means of monitoring
- Can be used in room corners
- Light and hassle-free installation

The Quarter Dome Mirror – 600mm is a fully reflective mirror made of acrylic with black rubber edging. Acrylic is a strong material that is not easily scratched and is shatter-free.

Quarter dome mirrors are made to be placed covertly in interior places so you can see the floor space. To maximise viewing coverage, the mirror is frequently positioned in room corners. The mirror is also suitable for installation at the end of corridors and passageways or of indoor two-way traffic areas.

Quarter dome mirrors can be positioned between two walls and a ceiling and are used to safeguard assets and businesses, because of its large reflective surface and visibility it works to deter theft. They work best when installed in hallways, corridors, room corners of hotels, hospitals, malls, retirement homes, loading areas, clinics, and other places with corners and junctions.



Strong & Durable



Australian Standards Approved



Easy Installation

**enforcer**  
group.com.au

Call us 1300 85 40 10