



# Corner Guard - PU Foam Impact Protection Strips

## CG-F-Corner

### Description

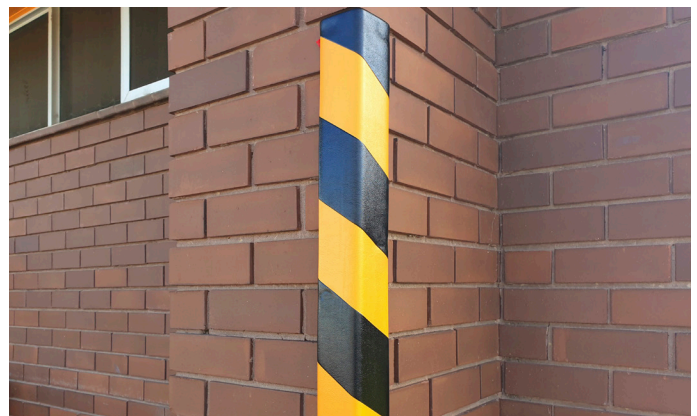
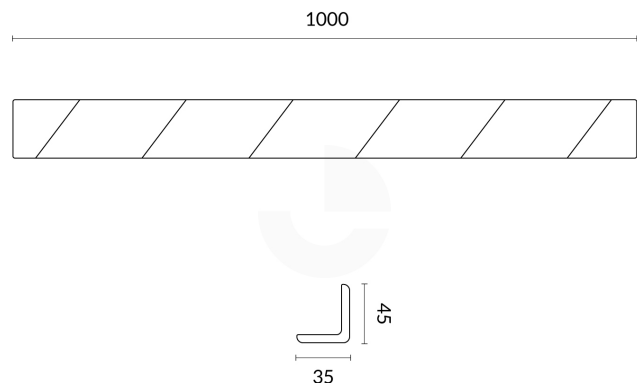
Enforcer's Corner Impact Protection Strips are designed to shield exposed 90° edges such as walls, beams, or structural columns. These L-shaped strips absorb impact and help prevent injuries or damage in busy environments.

### Features

- L-shaped profile for 90° corner protection.
- High-density PU foam absorbs accidental impact.
- Weather-resistant and easy to clean.
- High-visibility orange and black design.
- Peel-and-stick installation with pre-applied adhesive.

### Specifications

SKU	CG-F-Corner
Length	1000 mm
Dimension	45x35 mm
Weight	0.15 kg
Colour	Orange/Black
Material	PU Foam





# Corner Guard - PU Foam Impact Protection Strips (Corner Narrow)

## CG-F-Corner-N

### Description

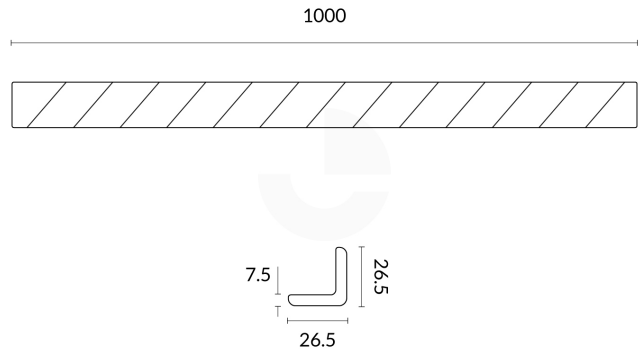
Enforcer Corner Impact Protection Strips Narrow are designed to shield exposed 90° edges such as walls, beams, or structural columns. These L-shaped strips absorb impact and help prevent injuries or damage in busy environments.

### Features

- L-shaped profile for 90° corner protection.
- High-density PU foam absorbs accidental impact.
- Weather-resistant and easy to clean.
- High-visibility yellow and black design.
- Peel-and-stick installation with self-adhesive strips.

### Specifications

SKU	CG-F-Corner-N
Length	1000 mm
Dimension	26.5x26.5 mm
Thickness	7.5 mm
Weight	0.16 kg
Colour	Yellow/Black
Material	PU Foam





# Curved Guard - PU Foam Impact Protection Strips

## CG-F-Curved

### Description

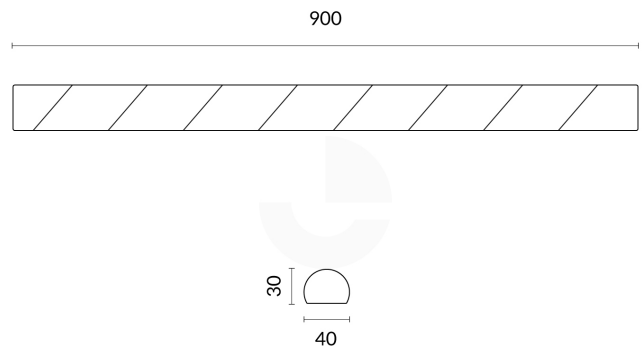
Enforcer's Curved Impact Protection Strips are designed to wrap around rounded or irregular surfaces such as pipes, poles, or curved equipment. The soft foam contours naturally, offering flexible protection in hard-to-cover areas.

### Features

- Rounded profile fits curved or cylindrical surfaces.
- Impact-resistant PU foam for versatile coverage.
- Pre-applied adhesive for no-tool installation.
- Durable under frequent contact.
- Clean, high-contrast colourway for visibility.

### Specifications

SKU	CG-F-Curved
Length	1000 mm
Dimension	40x30 mm
Colour	Orange/Black
Material	PU Foam





## Corner Guard - PU Foam Impact Protection Strips CG-F-Edge

### Description

Enforcer's Edge Impact Protection Strips offer flat-profile protection for sharp edges such as benches, shelving, or low-lying equipment. These strips help reduce workplace injuries and are suitable for both indoor and sheltered outdoor use.

### Features

- Flat design ideal for horizontal or vertical edge surfaces.
- Cushions contact with sharp edges.
- Durable polyurethane resists cracking.
- Adhesive backing for fast installation.
- Lightweight and maintenance-free.

### Specifications

SKU	CG-F-Edge
Length	900 mm
Dimension	40 mm
Colour	Orange/Black
Material	PU Foam

