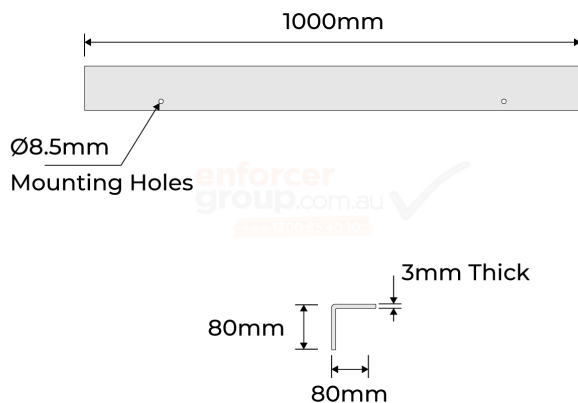


PRODUCT SPECS



Product Code: CG-80-G

Length: 1000mm

Width: 80mm x 80mm

Weight: 2kg

Thickness: 3mm

Mounting Holes: 8.5mm Diameter

Finish: Galvanised Steel



CORNER GUARDS - GALVANISED 80X80 - 1 METRE LONG

- Made of high-quality galvanised steel for durability and longevity
- Fits over 80x80mm corner guards for added protection against impact and wear
- 1 metre long, suitable for a wide range of applications
- Easy to install and maintain, Protects corners and edges in high-traffic areas
- Essential for any facility looking to keep its corners and edges safe and damage-free

This Corner guard - Galvanised 80x80mm 1 Metre Long is a strong and durable solution for protecting corners and edges in high-traffic areas.

This Corner Guard is made of galvanized steel, which provides superior protection against corrosion and rust, ensuring that it will last for years to come.

It is designed to fit over 80x80mm corners, providing an extra layer of protection against impact and wear. This Corner guard cover is 1 metre long, making it suitable for a wide range of applications, including malls, airports, schools, and more.



Strong &
Durable



Australian
Standards
Approved



Easy
Installation

enforcer
group.com.au

Call us 1300 85 40 10