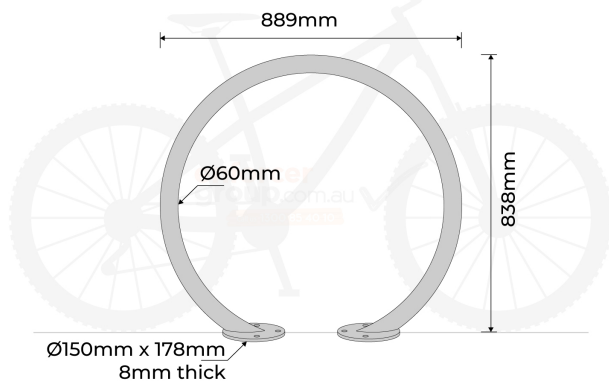


PRODUCT SPECS



Product Code: BR-C-SM-SS304

Diameter: 60mm

Height: 838mm

Width: 889mm

Wall Thickness: 3mm

Weight: 13.4kg

Base Plate: 178mm x 150mm
Diameter x 8mm
thick, 12mm Holes

Finish: Silver Brushed
Stainless Steel



2 Year
Manufacturing
Warranty

Installation
Service
available



BIKE RACK CIRCULAR STAINLESS STEEL SURFACE MOUNTED - 304 GRADE

- Made of high-quality stainless steel for durability and longevity
- Circular shape allows for compact storage of multiple bicycles
- Surface-mounted for easy installation on any flat surface
- Protects bicycles from damage and theft, Essential for outdoor areas

The Bike Rack Circular Stainless Steel Surface Mounted is a durable and secure solution for storing bicycles in outdoor areas.

This bike rack is made of high-quality stainless steel, providing superior protection against corrosion and rust.

It is designed in a circular shape, allowing multiple bicycles to be stored in a compact space.

The bike rack is surface-mounted, making it easy to install on any flat surface, such as concrete or asphalt.

This bike rack is an essential addition to any outdoor area where bicycle storage is needed, such as parks, schools, and office buildings.



Strong &
Durable



Australian
Standards
Approved



Easy
Installation

enforcer
group.com.au

Call us **1300 85 40 10**

www.enforcergroup.com.au

Address: 57-67 Popes Rd Keysborough Vic 3173 P.O. Box 3076 Ripponlea VIC 3185

Email: Sales@enforcergroup.com.au Phone: 1300 85 40 10