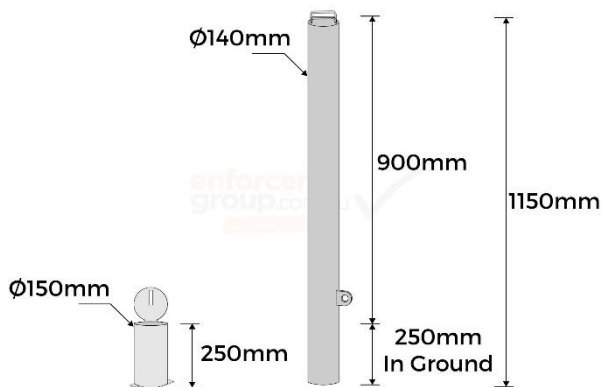


PRODUCT SPECS



Product Code: BP140-IG-REM-PL-SS

Diameter: 140mm

Height: 900mm above ground plus 250mm in-ground (1150mm)

Weight: 18kg

Thickness: 3mm

Sleeve Base: Galvanised, 250mm in-ground, 150mm diameter

Finish: Silver Brushed Stainless Steel



www.enforcergroup.com.au



PREMIUM BOLLARD 140MM IN-GROUND REMOVABLE PADLOCK

- Manufactured from heavy duty Steel Pipe
- Silver Brushed grade 304 Stainless Steel
- Luxury high class architectural look.
- Designed in Australia for Australian Conditions
- Strong Metal Bollard machined-flat top, with a retractable handle
- Installation Service is available

Our steel Bollards are designed in Australia for Australian conditions, environmentally friendly manufactured from steel pipe, and 100% recyclable. Silver grade 304 stainless steel, with architectural brushed stainless-steel finish. Removable padlock bollards are easy to install, designed to be strong and durable, easy to use and very convenient, they come with a sleeve which you can simply lock in too with your padlock. Suited to use in concrete or asphalt when you install with concrete pads to withstand from cars, trucks, and forklifts. At shopping centre car parks, government, or corporate centres, and all other areas where bollards are needed.



Strong & Durable



Australian Standards Approved



Easy Installation

enforcer group.com.au

Call us 1300 85 40 10

Address: 57-67 Popes Rd Keysborough Vic 3173 P.O. Box 3076 Ripponlea VIC 3185
Email: Sales@enforcergroup.com.au Phone: 1300 85 40 10