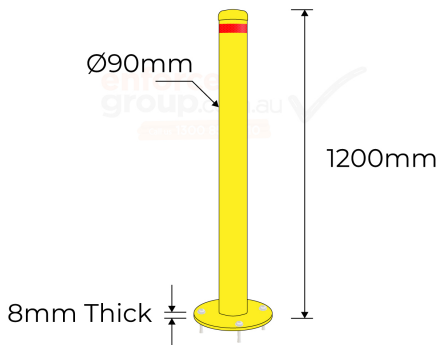
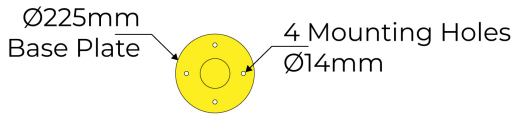


PRODUCT SPECS



Product Code: B90-SM-Yellow-1200

Diameter: 90mm

Height: 1200mm

Wall Thickness: 3mm

Weight: 9.5kg

Base Plate: 225mm Diameter x 8mm Thick; 4x14mm Diameter Mounting Holes

Finish: Powder-coated Safety Yellow / Red Reflective Band



SURFACE MOUNTED BOLLARD 90MM YELLOW - 1200 HIGH

- Manufactured from Heavy Duty Steel Pipe
- Hot Dipped Galvanised Steel for Rust Prevention
- Light Weight Easy to Install by One Person
- Designed in Australia for Australian Conditions
- Strong Metal Bollard Dome Cap
- Installation Service is Available

Enforcer Group 90mm Bollards are designed in Australia for Australian Conditions, Environmentally friendly Manufactured from Steel Pipe, and 100% Recyclable.

Hot-dipped galvanised steel for rust prevention with finished powder coated in safety yellow with Class 1 red reflective band. Bollard has a fully welded round base plate.

Easy to install or relocate, designed to be strong and durable, with a strong metal bollard dome cap (not cheap plastic cap).

Suited to use in concrete to withstand from cars, trucks, and forklifts. for all warehouses, car parks, driveways, and even machinery.



Strong & Durable



Australian Standards Approved



Easy Installation

enforcer
group.com.au

Call us 1300 85 40 10

Address: 57-67 Popes Rd Keysborough Vic 3173 P.O. Box 3076 Ripponlea VIC 3185
Email: Sales@enforcergroup.com.au Phone: 1300 85 40 10