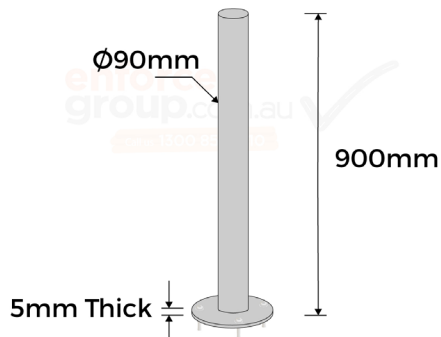
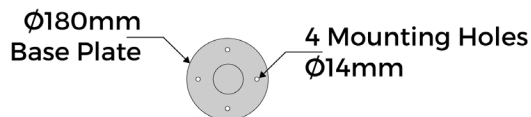


PRODUCT SPECS



Product Code: B90-SM-SS304

Diameter: 90mm

Height: 900mm

Weight: 7kg

Wall Thickness: 3mm

Base Plate: 180mm diameter
x 5mm thick, 4
mounting holes
14mm diameter

Finish: Silver Brushed Stainless
Steel



www.enforcergroup.com.au



SURFACE MOUNTED BOLLARD 90MM STAINLESS STEEL 304

- Manufactured from heavy duty Steel Pipe
- Silver Brushed grade 304 Stainless Steel
- Withstands from heavy cars, trucks, and forklifts
- Designed in Australia for Australian Conditions
- Strong Metal Bollard machined-flat top
- Installation Service is available

The Bollard 168mm Surface Mounted - Stainless Steel 304 is specifically designed in Australia for Australian Conditions, using environmentally-friendly steel pipe that is 100% recyclable.

Constructed with Grade 304 Stainless Steel and an architectural brushed stainless-steel finish, this bollard features a fully welded round base plate and a strong, machined-flat top cap.

A bollard that is easy to install or relocate and built to last, with the ability to withstand heavy impacts from cars, trucks, and forklifts, making them ideal for use in shopping centres, warehouses, car parks, driveways, and even with machinery while meeting architectural standards.



Strong &
Durable



Australian
Standards
Approved



Easy
Installation

enforcer
group.com.au ✓

Call us 1300 85 40 10

Address: 57-67 Popes Rd Keysborough Vic 3173 P.O. Box 3076 Ripponlea VIC 3185
Email: Sales@enforcergroup.com.au Phone: 1300 85 40 10