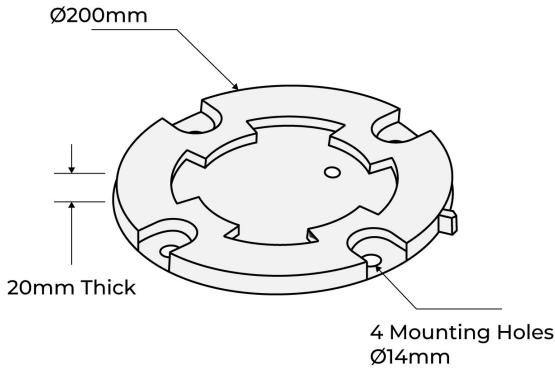


PRODUCT SPECS



Product Code:	B90-SM-SHOE-KL-W
Diameter:	200mm
Thickness:	20mm
Mounting:	4 mounting holes 14mm diameter
Finish:	Powder coated in White



90MM SURFACE MOUNTED KEYLOCK SHOE BASE ONLY - WHITE

- Hot Dipped Galvanised Steel for rust prevention
- Powder coated white finish
- Suited for Bollard Removable 90mm Surface Mount - Keyed Alike (White)
- Designed in Australia for Australian Conditions
- Installation Service is available

Enforcer Group Surface Mounted Keylock Shoe Base - White is made of galvanised steel with powder coated white finish.

This shoe is suitable for "Bollard Removable 90mm Surface Mount - Keyed Alike (White) (Product Code:B90-SM-REM-W)"



Strong & Durable



Australia Standards Approved



Easy Installation

enforcer
group.com.au ✓

Call us 1300 85 40 10