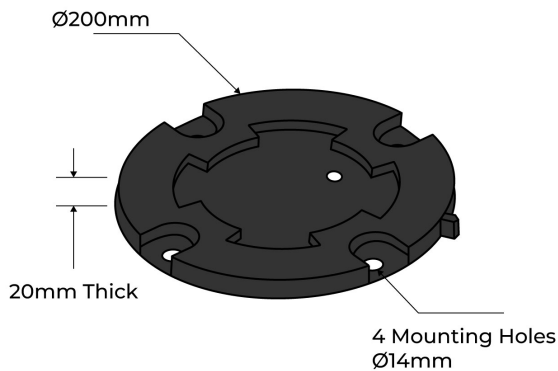


# PRODUCT SPECS



**Product Code:** B90-SM-SHOE-KL-B

**Diameter:** 200mm

**Thickness:** 20mm

**Mounting:** 4 mounting holes  
14mm diameter

**Finish:** Powder coated in Black



## 90MM SURFACE MOUNTED KEYLOCK SHOE BASE ONLY - BLACK

- Hot Dipped Galvanised Steel for rust prevention
- Powder coated black finish
- Suited for Bollard Removable 90mm Surface Mount - Keyed Alike - Black
- Designed in Australia for Australian Conditions
- Installation Service is available

Enforcer Group Surface Mounted Keylock Shoe Base - Black is made of galvanised steel with powder coated black finish.

This shoe is suitable for "Bollard Removable 90mm Surface Mount - Keyed Alike - Black (Product Code:B90-SM-REM-B)"



Strong &  
Durable



Australia  
Standards  
Approved



Easy  
Installation

**enforcer**  
**group.com.au**

Call us 1300 85 40 10

[www.enforcergroup.com.au](http://www.enforcergroup.com.au)

Address: 57-67 Popes Rd Keysborough Vic 3173 P.O. Box 3076 Ripponlea VIC 3185  
Email: [Sales@enforcergroup.com.au](mailto:Sales@enforcergroup.com.au) Phone: 1300 85 40 10