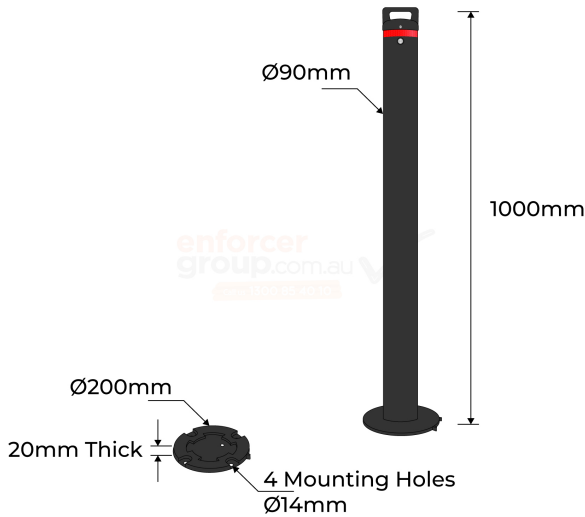
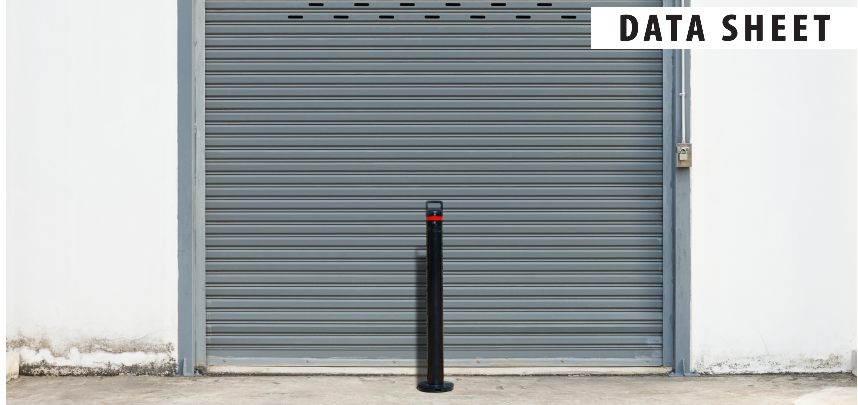


PRODUCT SPECS



Product Code:	B90-SM-REM-B
Diameter:	90mm
Height:	1000mm
Weight:	11kg
Wall Thickness:	3mm
Base Plate:	200mm diameter x 20mm high x 4 mounting holes 14mm diameter
Finish:	Powder coated Black / Red Reflective Band



BOLLARD REMOVABLE 90MM SURFACE MOUNT - KEYED ALIKE - BLACK

- Manufactured from heavy duty Steel Pipe
- Hot Dipped Galvanised Steel for rust prevention
- Light weight easy to install by one person
- Designed in Australia for Australian Conditions
- Comes with a shoe which can simply lock in, 2 keys included (keyed alike)
- Installation Service is available

Enforcer Steel Bollards are designed in Australia for Australian Conditions, Environmentally friendly Manufactured from Steel Pipe, and 100% Recyclable.

Hot Dipped Galvanised Steel for rust prevention, finished powder coated in Black with Class 1 Red Reflective Band. Fully welded round base plate. Easy to install or relocate, designed to be strong and durable, with a strong metal Bollard Dome Cap (not cheap plastic cap).

Removable surface mounted key lock bollards are easy to use and very convenient. They come with a shoe which you can simply lock in too, 2 keys included to remove them at any time. Suited to use in Concrete to withstand from cars, trucks, and forklifts. for all Warehouses, Car Parks, Driveways, even Machinery.



Strong & Durable



Australian Standards Approved



Easy Installation



Call us 1300 85 40 10