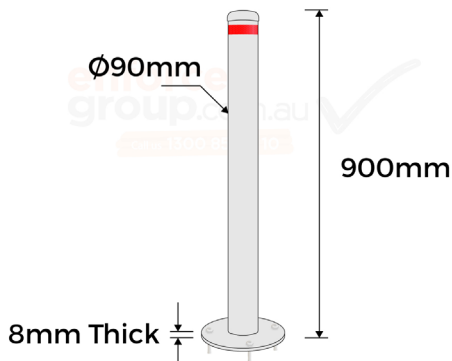
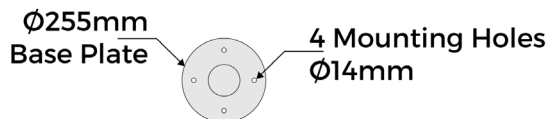


PRODUCT SPECS



Product Code:	B90 SM Gal
Diameter:	90mm
Height:	900mm
Weight:	8kg
Wall Thickness:	3mm
Base Plate:	225mm diameter x 8mm thick, 4 mounting holes 14mm diameter
Finished:	Silver Galvanized / Red Reflective Band



BOLLARD 90MM SURFACE MOUNTED GALVANIZED

- Manufactured from heavy duty Steel Pipe
- Hot Dipped Galvanised Steel for rust prevention
- Light weight easy to install by one person
- Designed in Australia for Australian Conditions
- Strong Metal Bollard Dome Cap
- Installation Service is available

Enforcer Steel Bollards are designed in Australia for Australian Conditions, Environmentally friendly Manufactured from Steel Pipe, and 100% Recyclable.

Hot Dipped Galvanised Steel for rust prevention, finished Silver Galvanized with Class 1 Red Reflective Band. fully welded round base plate.

Easy to install or relocate, designed to be strong and durable, with a welded strong metal Bollard Dome Cap (not cheap plastic cap).

Suited to use in Concrete to withstand from cars, trucks, and forklifts. for all Warehouses, Car Parks, Driveways, even Machinery.



Strong &
Durable



Australian
Standards
Approved



Easy
Installation

enforcer
group.com.au

Call us 1300 85 40 10