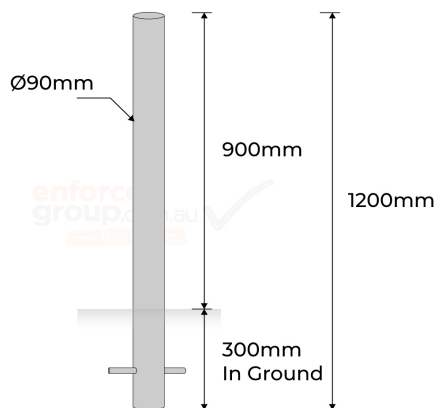


# PRODUCT SPECS



**Product Code:** B90-IG-SS304

**Diameter:** 90mm

**Height:** 900mm above ground plus 300mm in-ground (1200mm)

**Weight:** 8kg

**Wall Thickness:** 3mm

**Finish:** Silver Brushed Stainless Steel



**2 Year**  
Manufacturing  
Warranty

Installation  
Service  
available



## BOLLARD 90MM IN-GROUND - STAINLESS STEEL 304

- Manufactured from heavy duty Steel Pipe
- Silver Brushed grade 304 Stainless Steel
- Withstands from heavy cars, trucks, and forklifts
- Designed in Australia for Australian Conditions
- Strong Metal Bollard machined-flat top
- Installation Service is available

Enforcer Steel Bollards are designed in Australia for Australian Conditions, Environmentally friendly Manufactured from Steel Pipe, and 100% Recyclable.

Silver grade 304 Stainless Steel, with architectural brushed Stainless-Steel finish.

Easy to install or relocate, designed to be strong and durable.

Suited to use in Concrete to withstand from cars, trucks, and forklifts. for all Shopping centres, Warehouses, Car Parks, Driveways, even Machinery, together with architectural standards.



Strong &  
Durable



Australian  
Standards  
Approved



Easy  
Installation

**enforcer**  
group.com.au

Call us 1300 85 40 10