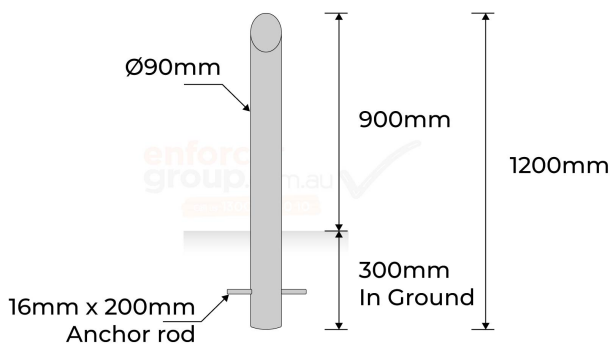


PRODUCT SPECS



Product Code: B90-IG-BT-SS304

Diameter: 90mm

Height: 900mm above ground plus 300mm in-ground (1200mm)

Weight: 8kg

Wall Thickness: 3mm

Anchor Rods: 16mm x 200mm hold down anchor rods protrude from base

Finish: Silver Brushed Stainless Steel



2 Year
Manufacturing
Warranty

Installation
Service
available



BOLLARD 90MM IN-GROUND BEVELLED TOP STAINLESS STEEL 304

- Manufactured from heavy duty Steel Pipe
- Silver Brushed grade 304 Stainless Steel
- Withstands from heavy cars, trucks, and forklifts
- Designed in Australia for Australian Conditions
- Strong Metal Bollard machined-bevelled top
- Installation Service is available

Enforcer Steel Bollards are designed in Australia for Australian Conditions, Environmentally friendly Manufactured from Steel Pipe, and 100% Recyclable.

Silver grade 304 Stainless Steel, with architectural brushed Stainless-Steel finish. Easy to install, designed to be strong and durable, in-ground bollards have fully welded hold down anchor rods for installation into new concrete footings.

Suited to use in Concrete or asphalt to withstand from cars, trucks, and forklifts. for all Shopping centres, Warehouses, Car Parks, Driveways, even Machinery, together with architectural standards.



Strong &
Durable



Australian
Standards
Approved



Easy
Installation

enforcer
group.com.au

Call us 1300 85 40 10