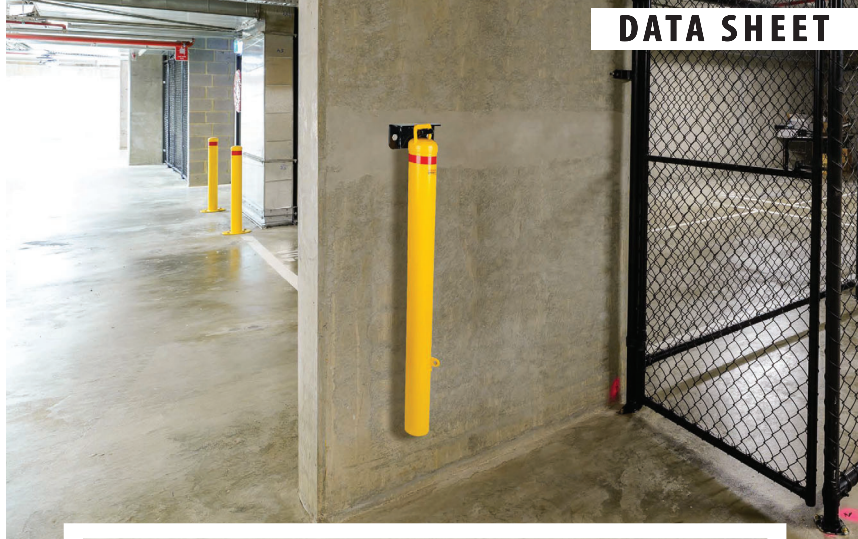
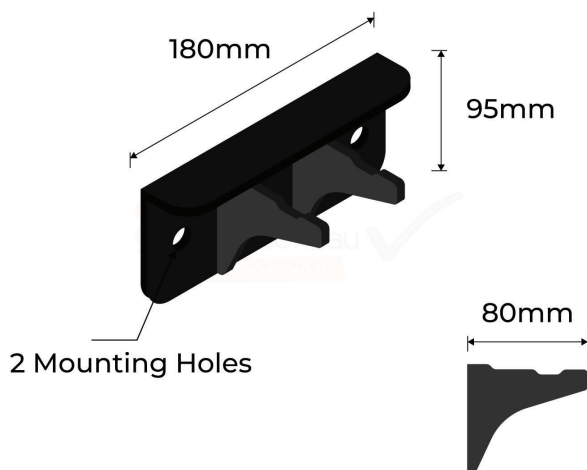


PRODUCT SPECS



BOLLARD 90MM HANGER

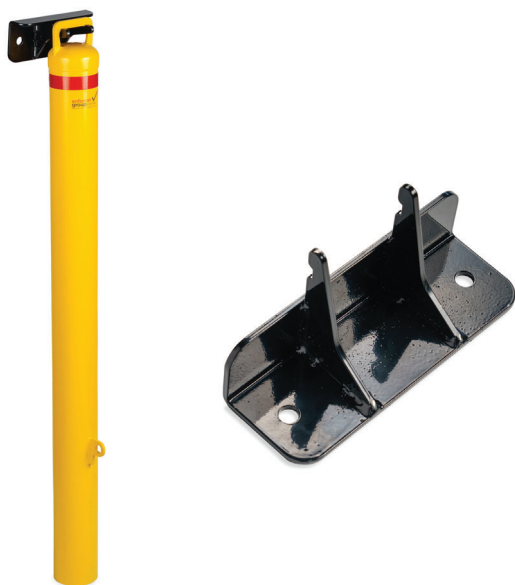
- Manufactured from TM55 steel plate
- Holds 90mm Bollard
- Convenient storage for bollards when not in use
- Light weight easy to install by one person

Enforcer Bollard hanger is made from a TM55 steel plate. Designed for the storage of 90mm Bollard. This hanger can be mounted to the wall.

This product is a convenient storage option for bollards that are not in use and will prevent any trip hazards from occurring.

Suitable for Work sites, Warehouses, Car Parks, to store bollards.

Product Code:	B90-HANGER
Length:	180mm
Height:	95mm
Weight:	1kg
Plate Thickness:	5mm
Hanger Length:	80mm
Finish:	Powder coated Black
Fixing:	2 Mounting holes



Strong & Durable



Australian Standards Approved



Easy Installation



Call us 1300 85 40 10