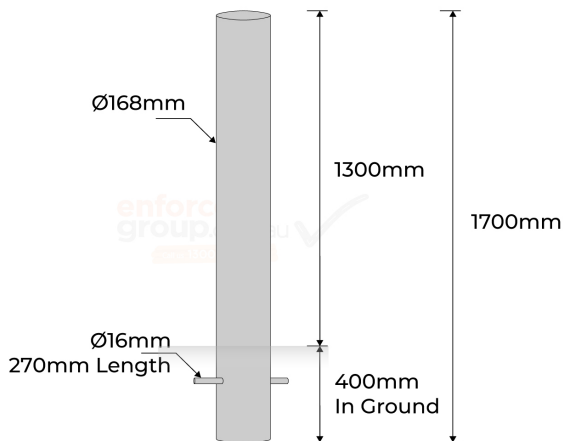


PRODUCT SPECS



Product Code: B168-IG-SS304

Diameter: 168mm

Height: 1300mm above ground plus 400mm in-ground (1700mm)

Weight: 13kg

Wall Thickness: 3mm

Base Rod: 16mm Diameter
270mm Length Base rod

Finish: Silver Brushed Stainless Steel



2 Year
Manufacturing
Warranty

Installation
Service
available

BOLLARD 168MM INGROUND- STAINLESS STEEL 304

- Made of high-quality stainless steel, rust and corrosion resistant,
- 168mm diameter, In-ground installation, provides physical barrier for protection,
- Sleek and modern design,
- Low-maintenance,
- Long-lasting protection

The Bollard 168mm In-Ground - Stainless Steel is a sturdy and durable addition to any property.

Measuring 168mm in diameter, this in-ground bollard is made of high-quality stainless steel that is resistant to rust and corrosion.

It is designed to be installed in the ground, providing a physical barrier to protect buildings, vehicles, and pedestrians from potential collisions.

The sleek and modern design of the bollard will complement any surroundings, making it an attractive and functional addition to your property.



Strong &
Durable



Australian
Standards
Approved



Easy
Installation

enforcer
group.com.au

Call us 1300 85 40 10