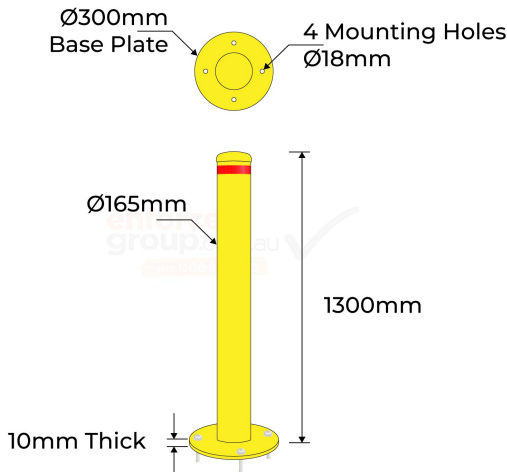
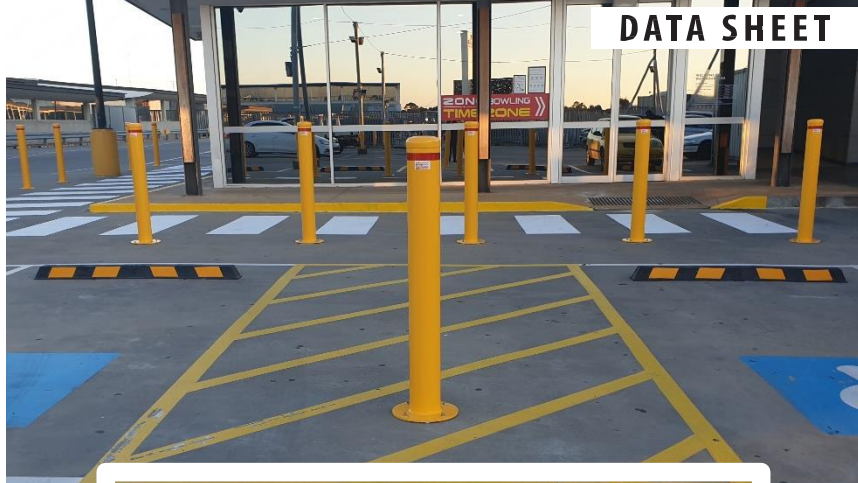


PRODUCT SPECS



Product Code:	B165-DP-SM-Y
Diameter:	165mm
Height:	1300mm
Weight:	21kg
Thickness:	3mm
Base Plate:	300mm diameter, 10mm thick, 4 mounting holes 18mm diameter
Finish:	Powder coated safety Yellow / Red Reflective Band



DISABLED BOLLARD 165MM SURFACE MOUNT

- Manufactured from heavy duty Steel Pipe
- Hot Dipped Galvanised Steel for rust prevention
- Suite to use in Concrete for Disabled Parking
- Designed in Australia for Australian Conditions
- Strong Metal Bollard Dome Cap

Enforcer Steel Bollards are designed in Australia for Australian Conditions, Environmentally friendly Manufactured from Steel Pipe, and 100% Recyclable.

Hot Dipped Galvanised Steel for rust prevention, finish powder coated in safety Yellow with Class 1 Red Reflective Band. fully welded round base plate. Easy to install or relocate, designed to be strong and durable, with a welded strong metal Bollard Dome Cap (not cheap plastic cap. Suited to use in Concrete for Disabled parking to withstand from cars, trucks, and forklifts. For all Warehouses, Car Parks, Driveways, even Machinery.



Strong & Durable



Australian Standards Approved



Easy Installation



Call us 1300 85 40 10