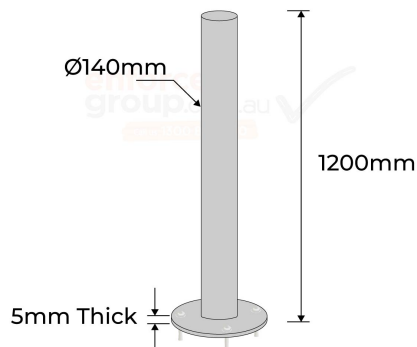
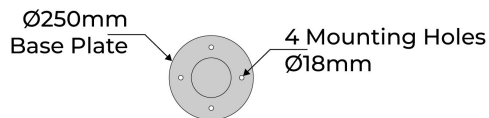


PRODUCT SPECS



Product Code:	B140 SM SS304-1200
Diameter:	140mm
Height:	1200mm
Weight:	15kg
Wall Thickness:	3mm
Base Plate:	250mm diameter x 5mm thick, 4 mounting holes 18mm diameter
Finish:	Silver Brushed Stainless Steel



STAINLESS STEEL BOLLARD 140MM

- Manufactured from heavy duty Steel Pipe
- Silver Brushed grade 304 Stainless Steel
- Withstands from heavy cars, trucks, and forklifts
- Designed in Australia for Australian Conditions
- Strong Metal Bollard machined-flat top cap.
- Installation Service is available

Enforcer Steel Bollards are designed in Australia for Australian Conditions, Environmentally friendly Manufactured from Steel Pipe. Silver grade 304 Stainless Steel, with architectural brushed Stainless-Steel finish, fully welded round base plate. Easy to install or relocate, designed to be strong and durable, with a welded strong metal Bollard machined-flat top cap. Suited to use in Concrete to withstand from cars, trucks, and forklifts. for all Shopping centres, Warehouses, Car Parks, Driveways, even Machinery, together with architectural standards.



Strong &
Durable



Australian
Standards
Approved



Easy
Installation

enforcer
group.com.au ✓

Call us **1300 85 40 10**