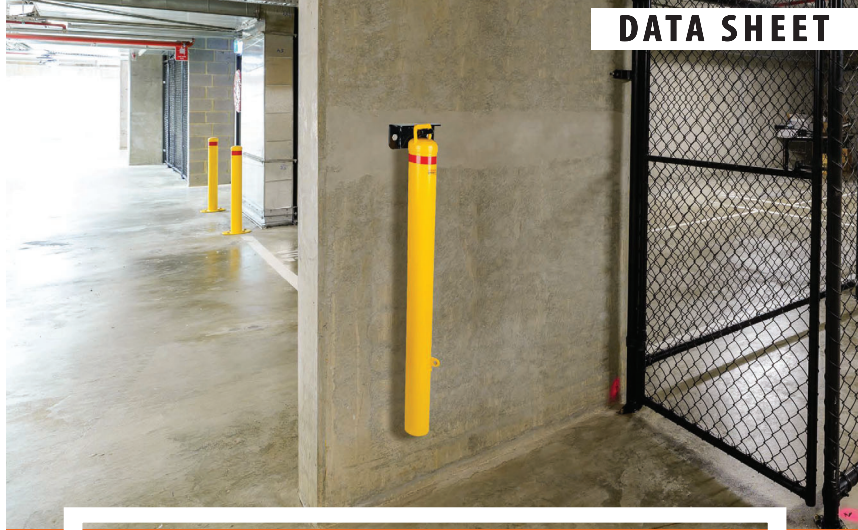
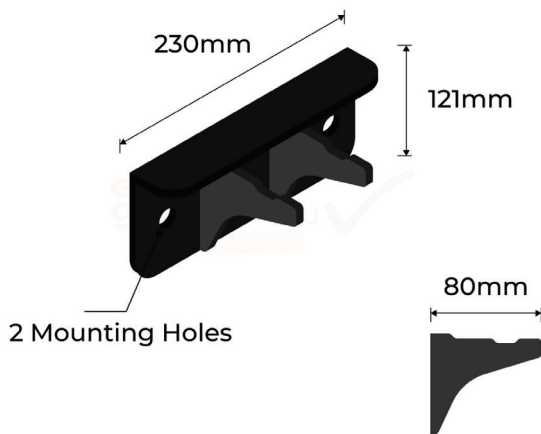


PRODUCT SPECS



BOLLARD 140MM HANGER

Product Code: B140-HANGER

Length: 230mm

Height: 121mm

Weight: 1kg

Plate Thickness: 5mm

Hanger Width: 80mm

Finish: Powder coated Black

Fixing: 2 Mounting holes

- Manufactured from TM55 steel plate
- Holds 140mm Bollard
- Convenient storage for bollards when not in use
- Light weight easy to install by one person

Enforcer Bollard hanger is made from a TM55 steel plate. Designed for the storage of 140mm Bollard. This hanger can be mounted to the wall.

This product is a convenient storage option for bollards that are not in use and will prevent any trip hazards from occurring.

Suitable for Work sites, Warehouses, Car Parks, to store bollards.



1 Year
Manufacturing
Warranty



Strong &
Durable



Australian
Standards
Approved



Easy
Installation

enforcer
group.com.au

Call us 1300 85 40 10