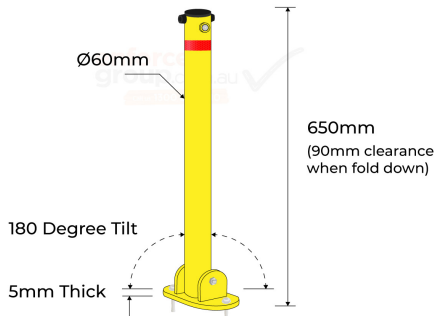
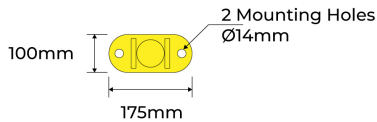


PRODUCT SPECS



Product Code:	BParking
Diameter:	60mm
Height:	650mm (90mm clearance when fold down)
Weight:	5kg
Wall Thickness:	3mm
Base Plate:	175mm x 100mm 2 mounting holes 14mm diameter
Finish:	Powder coated safety Yellow / Red Reflective Band



BOLLARD FOLD DOWN PARKING

- Manufactured from heavy duty Steel Pipe
- Hot Dipped Galvanised Steel for rust prevention
- Light weight easy to install by one person
- Designed in Australia for Australian Conditions
- 2 keys included (keyed alike)
- Installation Service is available

Enforcer Steel Bollards are designed in Australia for Australian Conditions, Environmentally friendly Manufactured from Steel Pipe, and 100% Recyclable.

Hot Dipped Galvanised Steel for rust prevention, finished powder coated in safety Yellow with Class 1 Red Reflective Band. Bollards are 'keyed alike' to eliminate the need for multiple keys when numerous parking bollards are used.

Fold down bollard are design to prevent your parking spot been taken by illegal parkers. The fold down bollard can be stand upright to prevent anyone parking on your car spot or lay flat down for vehicle to drive over. Easy to install or relocate, designed to be strong and durable

Suited to use in Concrete to protect your car spot, to withstand from cars, trucks, and forklifts. for private car parking, driveways, loading zones.



Strong & Durable



Australian Standards Approved



Easy Installation



Call us 1300 85 40 10