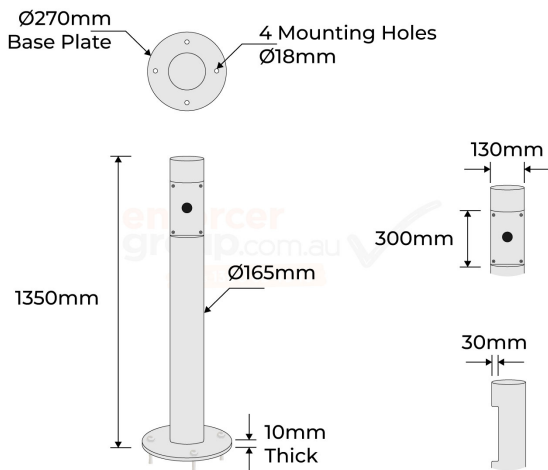


PRODUCT SPECS



Product Code: CRB-165-G

Diameter: 165mm

Height: 1350mm

Wall Thickness: 3mm

Weight: 19kg

Card Plate: 300mm x 130mm x 30mm

Base Plate: 270mm diameter x 10mm thick, 4x18mm diameter mounting holes

Finish: Silver Galvanised



2 Year
Manufacturing
Warranty

Installation
Service
available

www.enforcergroup.com.au



INTERCOM BOLLARD POST - 165MM HOT DIPPED GALVANISED

- Made of high-quality steel for durability and longevity
- Card reader allows authorized personnel to easily access the restricted area
- Easy to install and maintain
- Provides a secure barrier to vehicles and pedestrians
- Essential for facilities that require controlled access

The Enforcer Card Reader Bollard Post is 165mm Stainless Steel strong and durable solution for controlling access to restricted areas.

This bollard post is made of high-quality stainless steel, providing superior protection against corrosion and rust. It is 165mm in diameter, providing a sturdy barrier to vehicles and pedestrians.

The card reader bollard post is equipped with a card reader, allowing authorized personnel to easily access the restricted area by scanning their card.



Strong &
Durable



Australian
Standards
Approved



Easy
Installation

enforcer
group.com.au

Call us **1300 85 40 10**

Address: 57-67 Popes Rd Keysborough Vic 3173 P.O. Box 3076 Ripponlea VIC 3185
Email: Sales@enforcergroup.com.au **Phone:** 1300 85 40 10