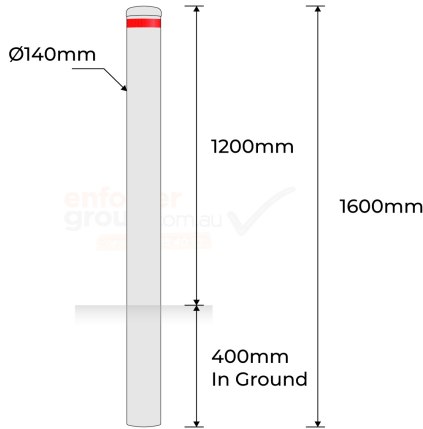


PRODUCT SPECS



Product Code:	B140-IG-Gal
Diameter:	140mm
Height:	1200mm above ground plus 400mm in-ground (1600mm)
Weight:	16kg
Wall Thickness:	3mm
Finish:	Silver Galvanized / Red Reflective Band



BOLLARD 140MM IN-GROUND - GALVANISED

- Manufactured from heavy duty Steel Pipe
- Hot Dipped Galvanised Steel for rust prevention
- Light weight easy to install by one person
- Designed in Australia for Australian Conditions
- Strong Metal Bollard Dome Cap
- Installation Service is available

Enforcer Steel Bollards are designed in Australia for Australian Conditions, Environmentally friendly Manufactured from Steel Pipe, and 100% Recyclable.

Hot Dipped Galvanised Steel for rust prevention, finished silver galvanised with Class 1 Red Reflective Band.

Easy to install or relocate, designed to be strong and durable, with a welded strong metal Bollard Dome Cap, (not cheap plastic cap).

Suited to use in Concrete or asphalt to withstand from cars, trucks, and forklifts. for all Warehouses, Car Parks, Driveways, even Machinery.



Strong & Durable



Australian Standards Approved



Easy Installation



Call us 1300 85 40 10